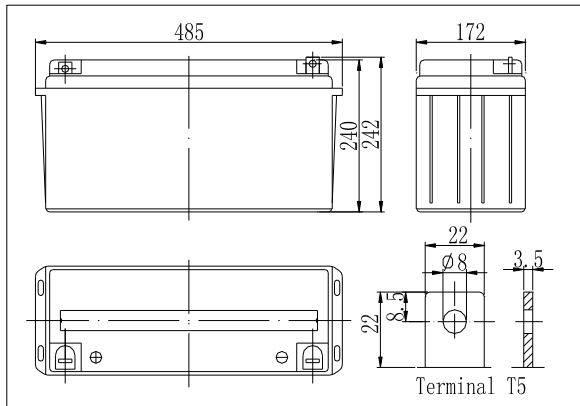
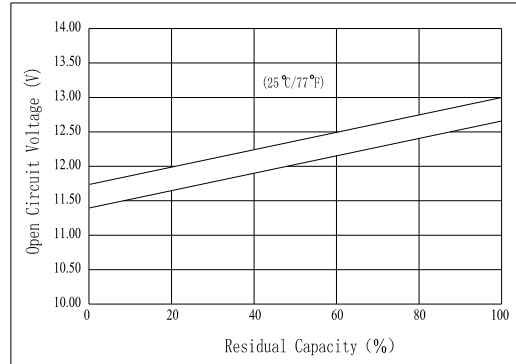


Dimensions



The Relationship for Open Circuit Voltage and Residual Capacity (25°C)

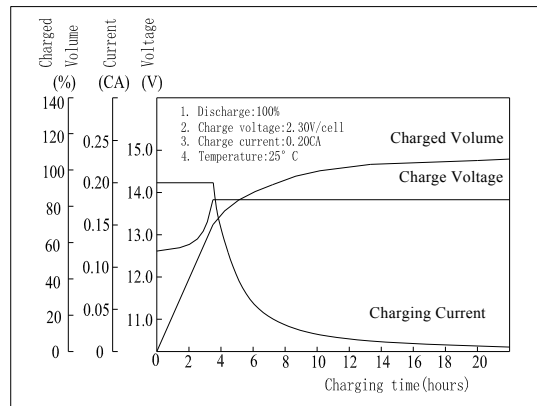


Specifications

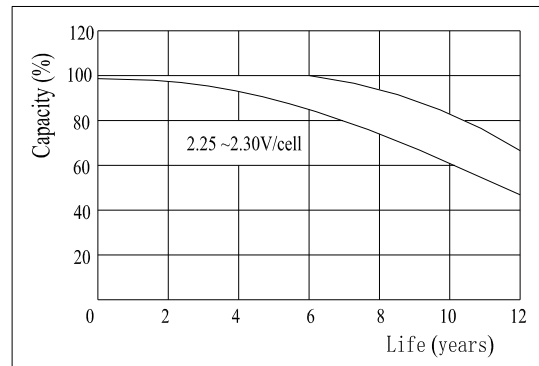
Nominal Voltage		12 V
Capacity(10HR, 25°C)		150 Ah
Dimension	Length	485mm (19.09inch)
	Width	172mm (6.77inch)
	Height	240mm (9.45inch)
	Total Height	242mm (9.53inch)
Approx. Weight		48kg (105.8lbs)
Internal resistance (Fully charged, 25°C)		Approx.3.7m Ω
Capacity affected by temperature (10HR)	40°C	102%
	25°C	100%
	0°C	85%
	-15°C	65%
Self-discharge (25°C)	3 month	Remaining Capacity: 91%
	6 month	Remaining Capacity: 82%
	12 month	Remaining Capacity: 65%
Nominal operating temperature		25°C ±3°C (77°F ±5°F)
Operating temperature range		-15°C ~50°C (5°F ~122°F)
Float charging voltage(25°C)		13.50 to 13.80V
Cyclic charging voltage(25°C)		14.50 to 14.90V
Maximum charging current		45A
Terminal material		Copper
Maximum discharge current		1200A(5 sec.)

- ◆ Absorbent glass mat technology;
- ◆ Recognized by UL & CE;
- ◆ ABS container.

Charging Characteristics(25°C)



Floating Life Characteristics (25°C)



Note: Floating life at 20°C designed for more than 12 years.

Constant Current Discharge Characteristics (A, 25°C)

F.V/TIME	5min	10min	15min	30min	60min	3h	5h	10h	20h
9.60V	458	306	243	153	94.5	38.8	27.4	15.2	7.99
10.2V	435	290	233	147	90.7	38.3	27.0	15.1	7.92
10.8V	409	273	221	139	86.2	37.5	26.5	15.0	7.88

Constant Power Discharge Characteristics (Watt, 25°C)

F.V/TIME	5min	10min	15min	30min	60min	3h	5h	10h	20h
9.60V	4812	3300	2663	1715	1077	457	324	182	95.9
10.2V	4572	3135	2557	1647	1034	450	319	180	95.1
10.8V	4297	2947	2429	1564	982	441	313	180	94.5